



PRODUCT SPECIFICATION

A. General Specification

Item		Specification	Condition
1	Model No.	A17689V1HBT	
2	Outline Dimension	176 x 176 x 89 mm	
3	Rated Voltage	AC 230 V	
4	Starting Voltage	AC 215 V	
5	Frequency	50Hz/ 60Hz	
6	Rated Current	0.25A/ 0.26 A	At Rated Voltage, 25°C, 65% RH
7	Power Consumption	25W/ 30W	At Rated Voltage, 25°C, 65% RH
8	Speed	2850RPM/ 3250RPM	At Rated Voltage, 25°C, 65% RH Free Air
9	Max. Airflow	315CFM/ 362CFM	At Rated Voltage AMCA Standard
10	Max. Static Pressure	8.92 / 10.25 mmH ₂ O	At Rated Current
11	Noise Level	58B(A)/ 62dB(A)	At Rated Voltage Measured in a non-echo Chamber CNS 8753 Standard ISO 3744 Test Condition
12	Life	50,000/hrs at 25°C	MTBF (Mean Time Between Failures) Conf. Level 90%
13	No. of Blade	5 Blades	
14	No. of Pole		
15	Rotating Direction	Counter-Clockwise View From Label Side	
16	Tolerance	? 10%	At Rated Voltage
17	Weight	2.0 Kgs	
18	Motor Type	AC Induction Capacitor Motor	

B. Main Materials / Parts Specification

Materials / Parts		Specification
1	Housing	Die-Casting Aluminium, Black
2	Plastic Material / Blade, Housing, Bobbin	UL 94V-0, P.B.T. + 30% GF Black
3	Bearing	Two Ball Bearing
4	Terminal	2 Pins, 7.62x3.05x0.51mm (LxWxH)
5	Connector	None

C. Safety Approvals :

Safety Approvals	File No.	Safety Approvals	File No.
		CE	

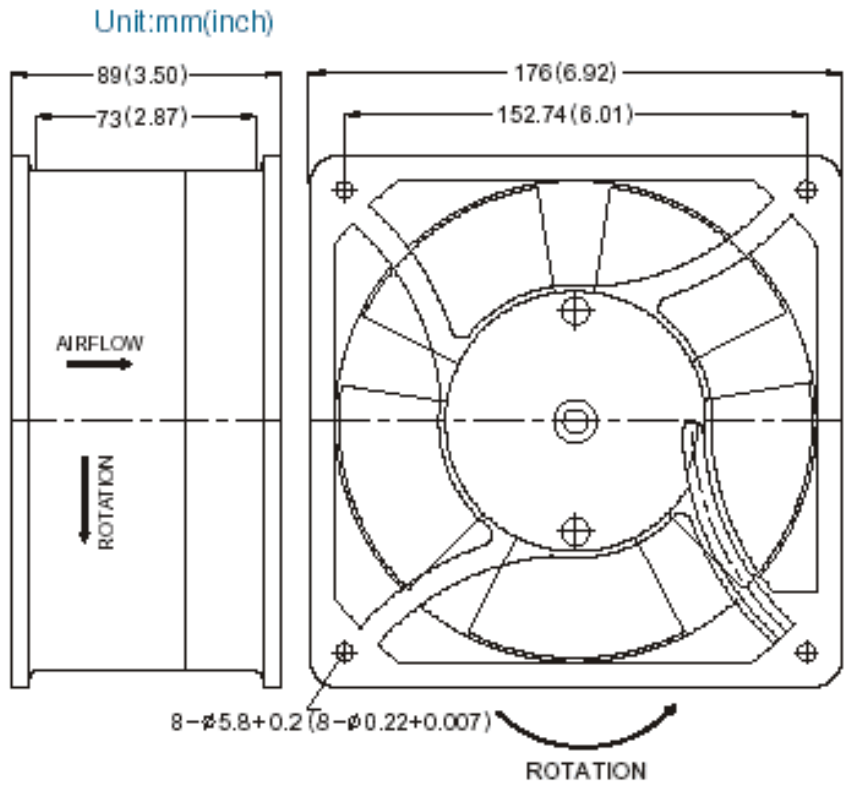
D. Environmental Specification

Item		Specification / Condition
1	Operating Temp. Range	Temperature : -30°C ~ + 60°C Humidity : 35% - 85% RH
2	Storage Temperature	Temperature : -30°C ~+ 80°C Humidity : 35% - 85% RH
3	Humidity	Per MIL-STD 202F Method 103B; Life: 96 hours; Humidity : 95% RH; Temperature: 40 ? 2°C
4	Thermal Shock	Per MIL-STD 202F Method 107D, Condition D
5	Insulation Shock	UL: Class B
6	Packing Vibration Test	Packing Condition: X, Y, Z 3directions, 1.1 G load vibration test for 30 min.
7	Packing Shock Proof Test	1 corner, 3 edges, 6 faces natural drop from 60 cm high packing

E. Electrical Specification

Item		Specification/Condition
1	Insulation Resistance	100M? between frame and unshielded wire at 500VDC/min
2	Dielectric Strength	Withstand at 1.5K VAC, 60Hz for 1 minute between frame and terminal
3	Motor Safety Protection	Impedance of motor coil winding protects motor from flaming in the condition of 72 hours locked rotor at rated voltage.
4	Locker Rotor Protection	
5	Polarity Protection	

F. Outline Dimension UNIT: mm



G. Fan Performance Curve

